



**Annotation:**

The present bulletin contains amendments of catalogues regarding to steering control 1025-3400010-01 according to the actual production.

Sheets 116-119 shall be replaced.

**Content of changes:**

Группа 34 Steering control

Group

Подгруппа 3407 Steering control 1025-3400010-01

Subgroup

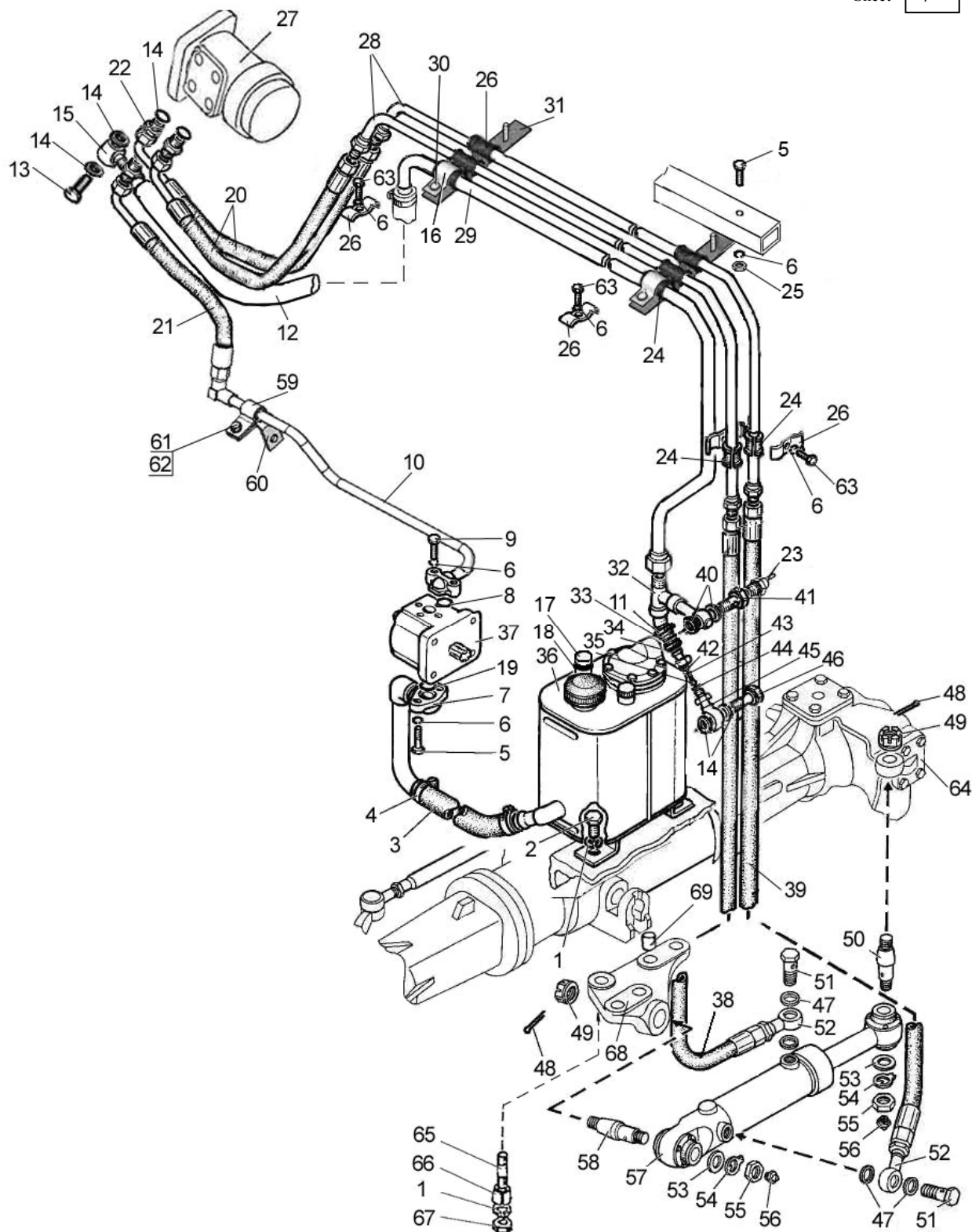


Figure 34.2 Steering control



**Group 34. Steering control**  
**Subgroup 3407. Steering control 1025-340010-01**

Fig.	Pos.	Designation	Q-ty	Denomination
34.2	1	16 OT OST 37.001.115-75	5	Washer
	2	M16-6gx25.88.35.019 GOST 7796-70	2	Bolt
	3	1221-3407012-03	1	Hose
	4	5000.04	2	Worm clamp 25-40
	5	M8-6gx45.88.35.019 GOST 7795-70	5	Bolt
	6	8T OST 37.001.115-75	12	Washer
	7	1025-3407030-A	1	Oil line
	8	017-022-30-1-4 GOST 18829-73/9833-73	1	Ring
	9	M8-6gx35.88.35.019 GOST 7796-70	2	Bolt
	10	1025-3407020-B	1	Oil line
	11	5000.02	4	Worm clamp 16-27
	12	952-3407014-06	1	Hose
	13	85-3407105-03	1	Bolt
	14	4600.20	7	Washer PM1/2
	15	923-3407080	1	Oil line
	16	70-3407163-01	2	Clip
	17	1221-1802091	1	Threaded plug
	18	4600.18	1	Washer PM14
	19	020-024-25-2-2 GOST 18829-73/9833-73	1	Ring
	20	4600.131	2	High-pressure hose 10x1 680-4607140-11
	21	4600.008	1	High-pressure hose 12,5x2 1522B-3407100-07
	22	Φ80-3407134	3	Adapter
	23	DADM-03	1	Emergency oil pressure sensor
	24	70-3506027	9	Bushing
	25	M8-6H.6.019 GOST 5915-70	2	Nut
	26	70-3407146	3	Plank
	27	3406.02	1	Dosing pump
	28	1025-3407040	2	Oil line
	29	1025-3407060	1	Oil line
	30	M8-6gx20.88.35.019 GOST 7796-70	2	Bolt
	31	921-3407016	2	Bracket
	32	923-3407050	1	T-piece
	33	600-3407083	1	Hose
	34	Φ80-3407111-01	1	Valve cover
	35	12,0-60 GOST 3722-81	1	Ball
	36	923-3407100-01	1	Tank
	37	NSH14G-3L or NSH14D-3L or NSH14ZH-3L	1	Gear pump
	38	4600.101	1	High-pressure hose 8x1 952-3407100-02
	39	4600.102	1	High-pressure hose 8x1 952-3407100-04
	40	4600.22	2	Washer PM 24
	41	1221-3407140-A-01	1	Valve
	42	F80-3407113	1	Guide

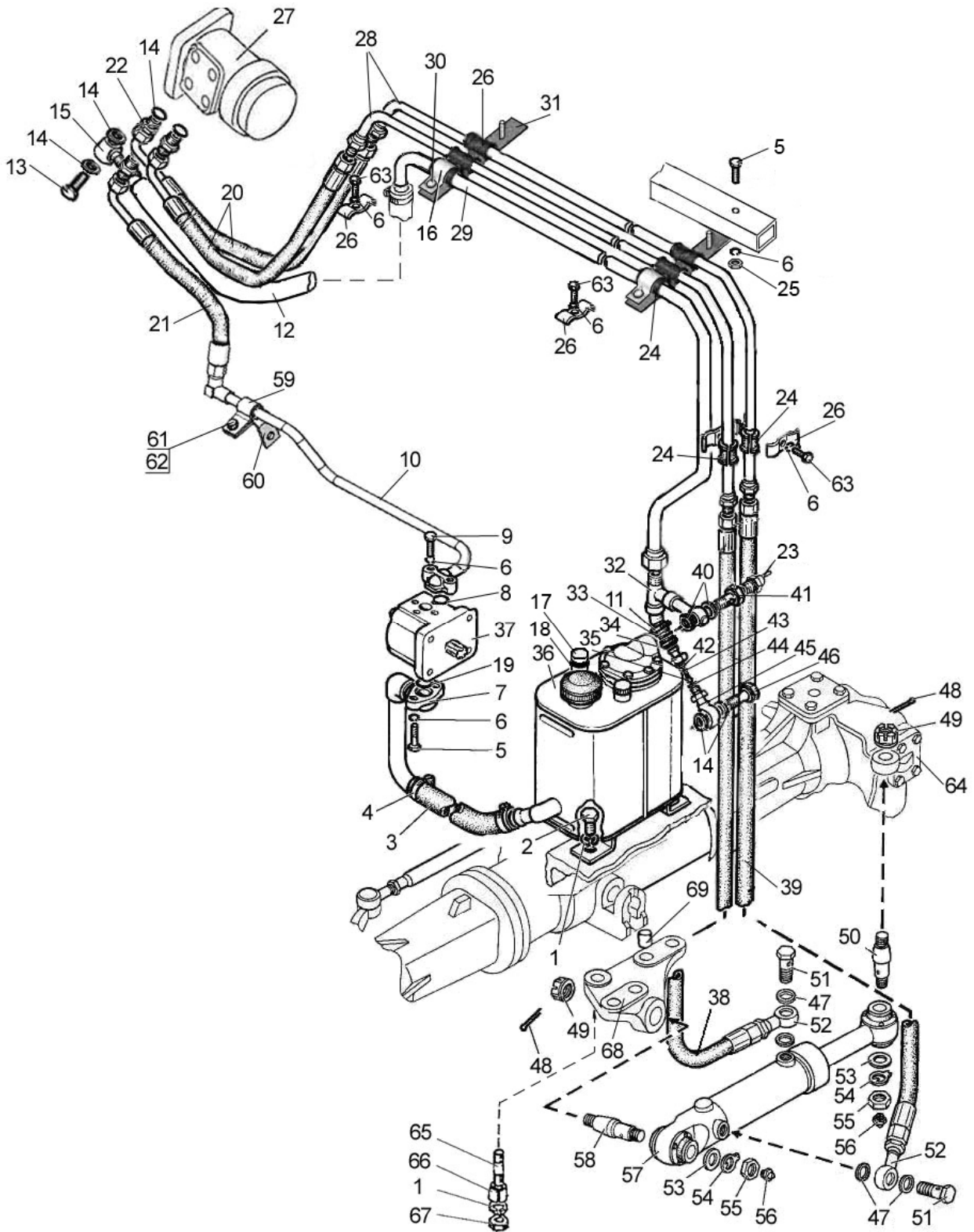


Figure 34.2 - Steering control



**Group 34. Steering control**  
**Subgroup 3407. Steering control 1025-3400010-01**

Fig.	Pos.	Designation	Q-ty	Denomination
34.2	43	80-3407221	1	Spring
	44	F80-3407114	1	Washer
	45	822-3407095	1	Valve housing
	46	40-4607032	1	Bolt
	47	4600.19	2	Washer PM 3/8
	48	4x36.019 GOST 397-79	2	Split pin
	49	102-3405113	2	Pin nut
	50	102-3405112-01	1	Pin
	51	F80-3407301	2	Bolt
	52	2022-3407202-A	2	Rotary angle piece
	53	C 20.01.019 GOST 11371-78	2	Washer
	54	F80-3405103	2	Lock washer
	55	M20x1,5-6H.04.019 GOST 15522-70	2	Nut
	56	1.1.TS9.chr.GOST 19853-74	2	Oiler
	57	TS63-3405115-A-02	1	Hydraulic cylinder
	58	102-3405111	1	Pin
	59	50-4607041	1	Bracket
	60	85-3407102	1	Bracket
	61	M10-6gx20.88.35.019 GOST 7796-70	1	Bolt
	62	10 OT OST 37.001.115-75	1	Washer
	63	M8-6gx30.88.35.019 GOST 7796-70	3	Bolt
	64	1021-2308076	1	Bracket
	65	1520-2308079	3	Stud
	66	1520-2308077	3	Bushing
	67	M16-6H.6.019 GOST 5915-70	3	Nut
	68	822-2301023-Б-01	1	Cylinder bracket
	69	D01-015	2	Pin